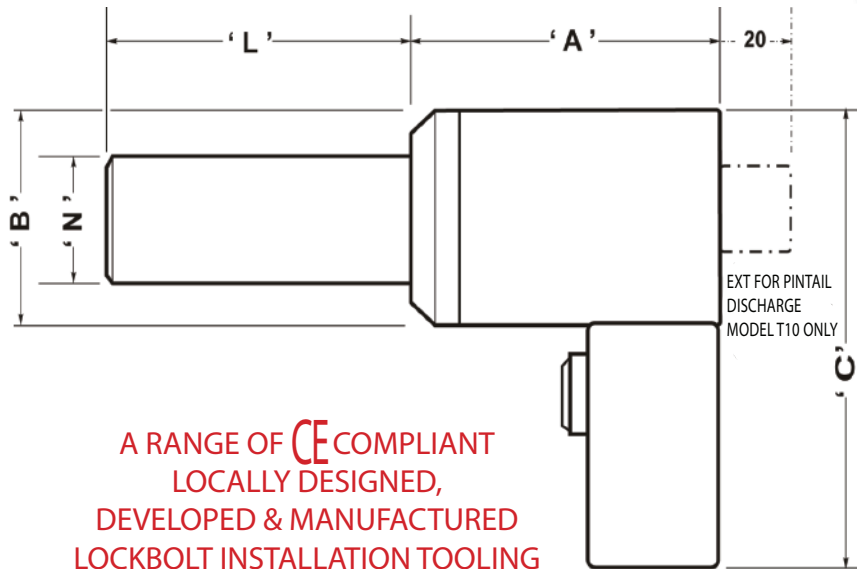


# HYDRADRIV

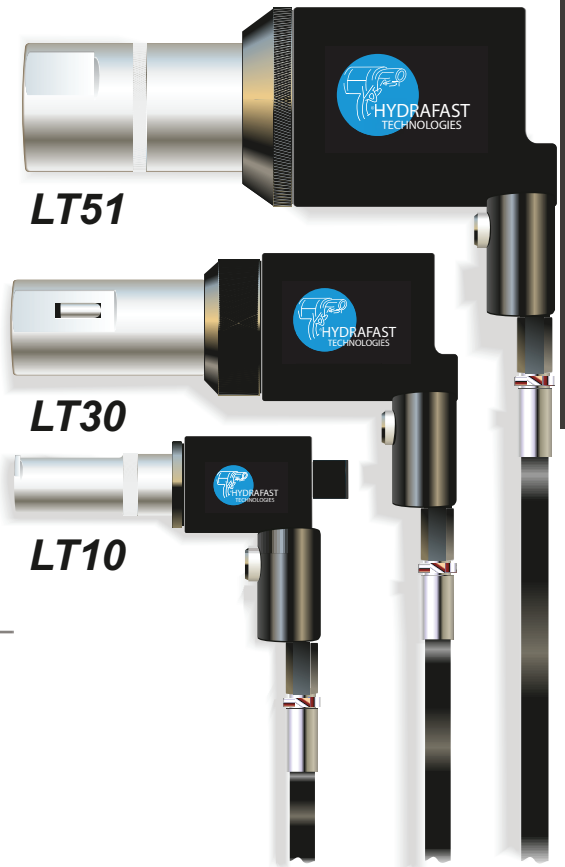
## 10-28mm

### BASIC DIMENSIONS

HYDRADRIVE MODEL NO.	T10	T30	T51
LOCKBOLT RANGE	5 - 10	13 - 19	22 - 28
A	118	143	205
B	60	89	122
C	176	203	217
WEIGHT kg	3.5	8.0	18.0



A RANGE OF CE COMPLIANT  
LOCALLY DESIGNED,  
DEVELOPED & MANUFACTURED  
LOCKBOLT INSTALLATION TOOLING



HYDRADRIV TOOLING

### NOSE SELECTION

T10				T30				T51			
NOSE NO	LOCKBOLT TYPE	L	N	NOSE NO	LOCKBOLT TYPE	L	N	NOSE NO	LOCKBOLT TYPE	L	N
N10	10 STD	89	28	N30	19 STD	131	56	N50	25 STD	153	83
N11	3/8" BLIND	86	28.5	N31	16 STD	113	48	N52	28 STD	158	83
G06	6 MG	69	20	N32	13 STD	110	43	N53	22 STD	148	70
G10	10 MG	90	33	N35	19 BLIND	130	56				

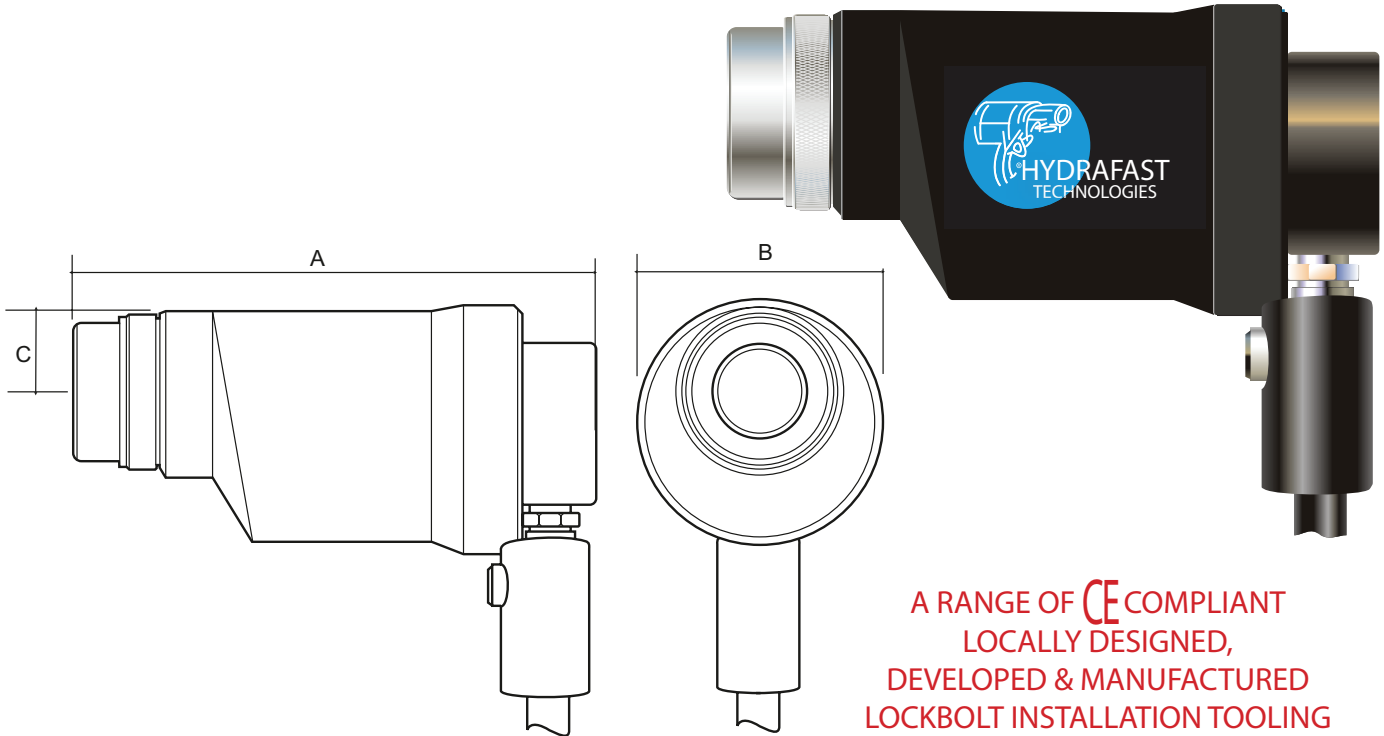
Data shown is subject to change without prior notice as a result of continuous product development and improvement . Rev 2014



AVLOCK INTERNATIONAL  
FASTENING SYSTEMS

# HYDRADRIV CLOSE QUARTER

## 13-28mm



### TOOL SELECTION

HYDRADRIV MODEL NO	T32	T33	T34	T35	T36
LENGTH (A)	182 mm 7.16 in	194 mm 7.64 in	217 mm 8.54 in	217 mm 8.54 in	217 mm 8.54 in
BODY DIAMETER (B)	86 mm 3.38 in	96 mm 3.78 in	130 mm 5.12 in	130 mm 5.12 in	130 mm 5.12 in
BACK MARK (C)	31 mm 1.22 in	34.5 mm 1.36 in	48.5 mm 1.9 in	48.5 mm 1.9 in	48.5 mm 1.9 in
WEIGHT	6.3 kg 13.9 lbs	7.7 kg 17 lbs	15 kg 3.3 lbs	15 kg 3.3 lbs	15 kg 3.3 lbs
STROKE	33 mm 1.3 in	33 mm 1.3 in	41 mm 1.6 in	41 mm 1.6 in	41 mm 1.6 in
PULL PRESSURE	55.2 mPa 8000PSI	55.2 mPa 8000PSI	55.2 mPa 8000PSI	55.2 mPa 8000PSI	55.2 mPa 8000PSI
RETURN PRESSURE	20.7 mPa 3000PSI	20.7 mPa 3000PSI	20.7 mPa 3000PSI	20.7 mPa 3000PSI	20.7 mPa 3000PSI
HYDRAULIC FLUID	ISO VG 46 or Equivalent				
FASTENER RANGE	16 mm	19 mm	22 mm	25 mm	28 mm
NOISE LEVEL	126 dB (A)				
SOUND POWER	100.9 dB (A)				
VIBRATION	8.6 m/sec <sup>3</sup>				

Data shown is subject to change without prior notice as a result of continuous product development and improvement . Rev 2014